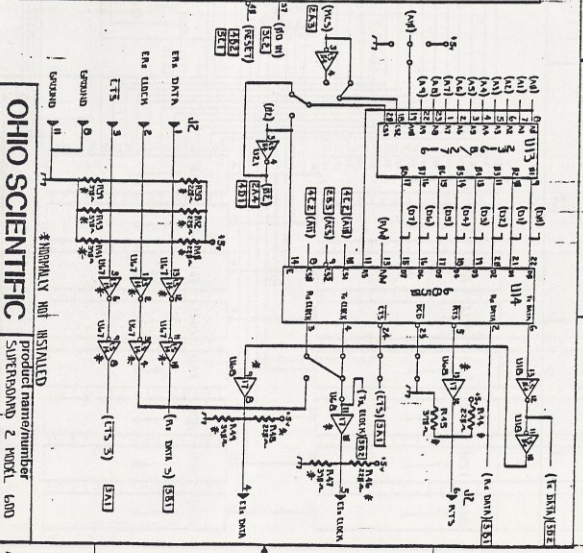
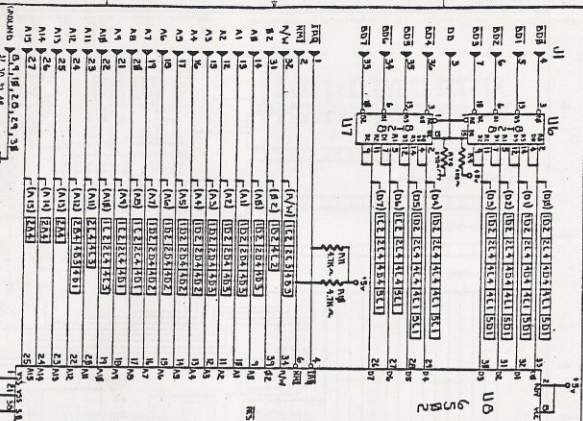


J3 IS 12 PIN MOLEX ON 600 BOARD
 J5 IS RS-232 DELTA FOR PRINTER
 J6 IS RS-232 DELTA FOR MODEM

SWITCH WIRING FOR PRINTER, MODEM, OR CASSETTE OPERATION OF 600 BOARD

OHIO SCIENTIFIC		product name/number CIP SERIES II	
date 21 OCT 1980	revision	page	status sheet of



OHIO SCIENTIFIC
 product name/number
 SUREBOARD 2 MODXL 600

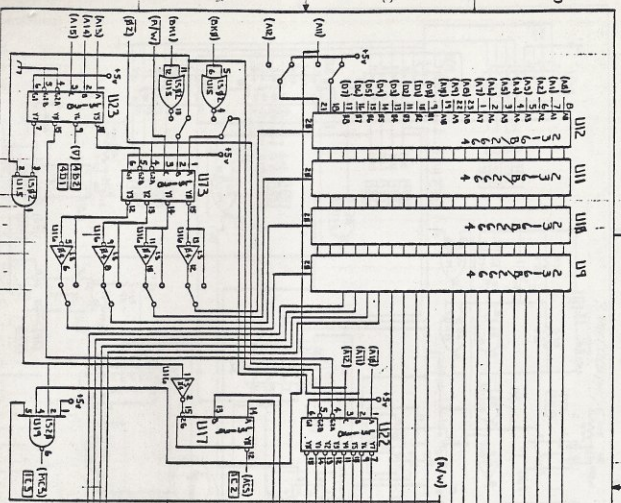
date	revision	d/rn.	status	sheet
26 AUG 1960	D	JLK	INSTALLED	1 of 5
		app. - F		

11 116
 12
 13
 14
 15
 16
 17
 18
 19
 20
 21
 22
 23
 24
 25
 26
 27

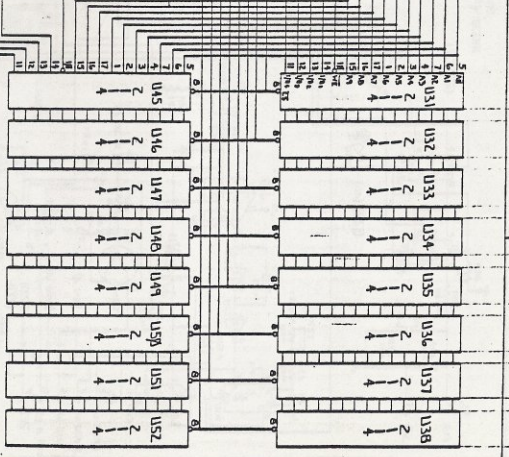
37 (M-) (EN) (RST) (C3) (R1) (C2) (A8) (A7) (A6) (A5) (A4) (A3) (A2) (A1) (V) (W)

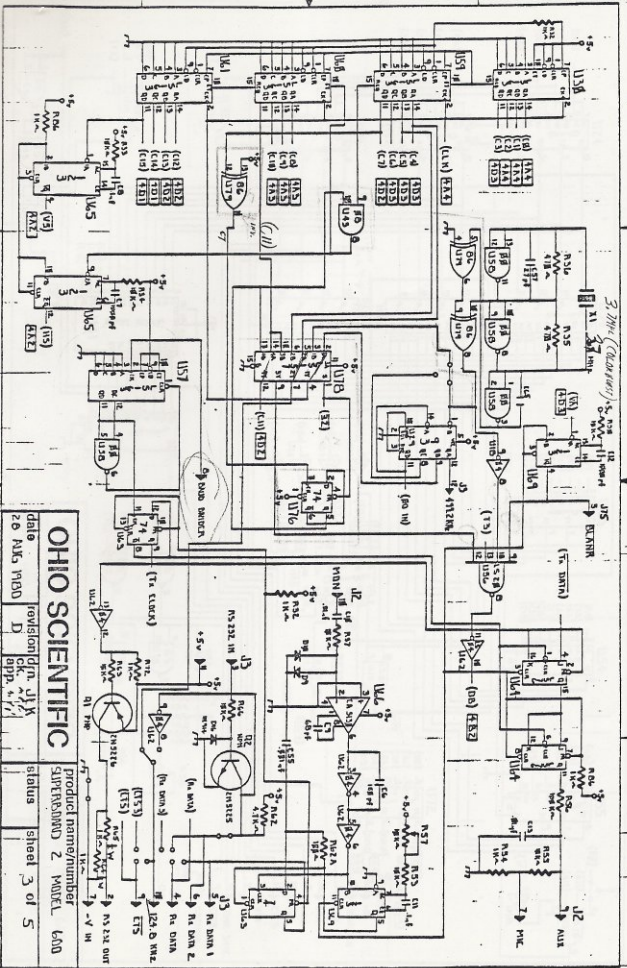
12 13 14 15 16 17 18 19 20 21 22 23 24 25 26 27

1 2 3 4



OHIO SCIENTIFIC			
date	revision	drawn by	product name/number
20 AUG 1960	D	CK. 472	SUPREBOARD 2 MODEL 6A0
		app. 472	
			status
			sheet 2 of 5





date		26 AUG 1950		revision/drn. JJK		status		sheet 3 of 5	
		D							
OHIO SCIENTIFIC				product name/number					
				SUPERHND 2 MODEL 600					

video swch
4812465

3 7M (CARRIERS)

EXAMIN

2

1

D

3

2

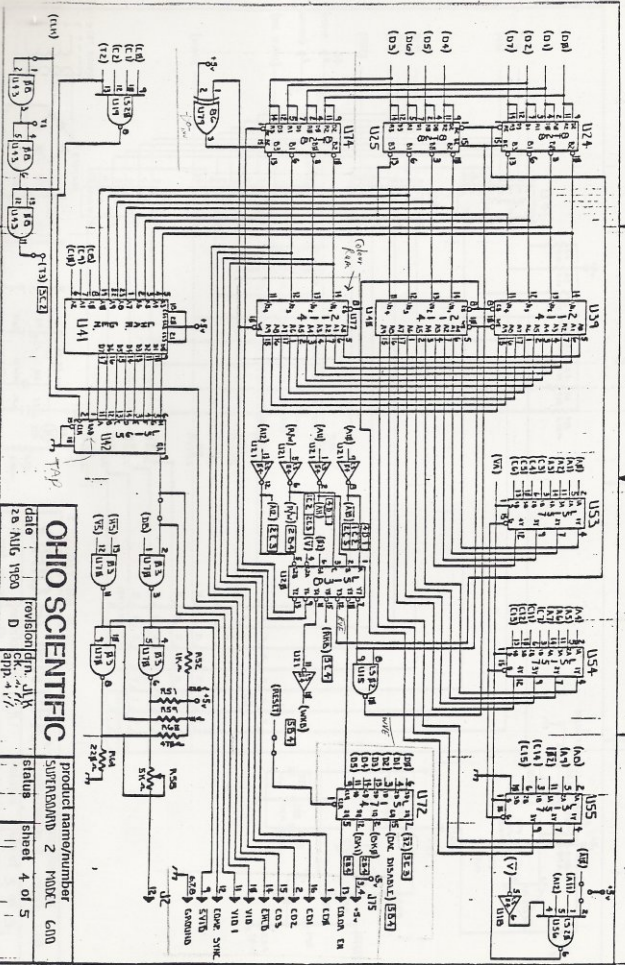
1

A

B

C

D



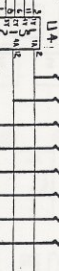
OHIO SCIENTIFIC product name/number SUPERBOARD 2 MODEL 6100		date	revision	dwn.	status	sheet	of
		28: AUG 1960	D	JLK	app.	4	5

114V 1 2 3 4 5 6 7 8 9 10 11 12 13 14 15 16 17 18 19 20 21 22 23 24 25 26 27 28 29 30 31 32 33 34 35 36 37 38 39 40 41 42 43 44 45 46 47 48 49 50 51 52 53 54 55 56 57 58 59 60 61 62 63 64 65 66 67 68 69 70 71 72 73 74 75 76 77 78 79 80 81 82 83 84 85 86 87 88 89 90 91 92 93 94 95 96 97 98 99 100

7302

114V

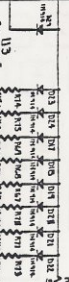
(D0)
(D1)
(D2)
(D3)



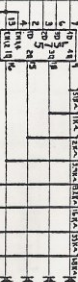
(D4)
(D5)
(D6)
(D7)



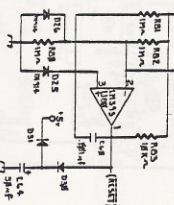
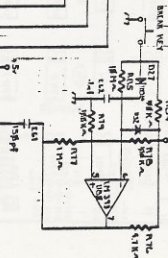
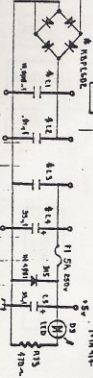
(PINS)
GROUND
(OK SIGNAL)



(YKHO)



30FT ROUND



NORMALLY NOT INSTALLED

D0	D1	D2	D3	D4	D5	D6	D7
1	2	3	4	5	6	7	
8	9	B	1	-			
C	D	E	F	G	H	I	J
K	L	M	N	O	P	Q	R
S	T	U	V	W	X	Y	Z
AA	AB	AC	AD	AE	AF	AG	AH
AI	AJ	AK	AL	AM	AN	AO	AP
AQ	AR	AS	AT	AU	AV	AW	AX
AY	AZ	BA	BB	BC	BD	BE	BF
BG	BH	BI	BJ	BK	BL	BM	BN
BO	BP	BQ	BR	BS	BT	BU	BV
BW	BX	BY	BZ	CA	CB	CC	CD
CE	CF	CG	CH	CI	CJ	CK	CL
CM	CN	CO	CP	CQ	CR	CS	CT
CU	CV	CW	CX	CY	CZ	DA	DB
DC	DD	DE	DF	DG	DH	DI	DJ
DK	DL	DM	DN	DO	DP	DQ	DR
DS	DT	DU	DV	DW	DX	DY	DZ
EA	EB	EC	ED	EE	EF	EG	EH
EI	EJ	EK	EL	EM	EN	EO	EP
EQ	ER	ES	ET	EU	EV	EW	EX
EY	EZ	FA	FB	FC	FD	FE	FF
FG	FH	FI	FJ	FK	FL	FM	FN
FO	FP	FQ	FR	FS	FT	FU	FV
FW	FX	FY	FZ	GA	GB	GC	GD
GE	GF	GG	GH	GI	GJ	GK	GL
GM	GN	GO	GP	GQ	GR	GS	GT
GU	GV	GW	GX	GY	GA	GB	GC
GD	GE	GF	GG	GH	GI	GJ	GK
GL	GM	GN	GO	GP	GQ	GR	GS
GT	GU	GV	GW	GX	GY	GA	GB
GC	GD	GE	GF	GG	GH	GI	GJ
GK	GL	GM	GN	GO	GP	GQ	GR
GS	GT	GU	GV	GW	GX	GY	GA
GB	GC	GD	GE	GF	GG	GH	GI
GJ	GK	GL	GM	GN	GO	GP	GQ
GR	GS	GT	GU	GV	GW	GX	GY
GA	GB	GC	GD	GE	GF	GG	GH
GI	GJ	GK	GL	GM	GN	GO	GP
GQ	GR	GS	GT	GU	GV	GW	GX
GY	GA	GB	GC	GD	GE	GF	GG
GH	GI	GJ	GK	GL	GM	GN	GO
GP	GQ	GR	GS	GT	GU	GV	GW
GX	GY	GA	GB	GC	GD	GE	GF
GG	GH	GI	GJ	GK	GL	GM	GN
GO	GP	GQ	GR	GS	GT	GU	GV
GW	GX	GY	GA	GB	GC	GD	GE
GF	GG	GH	GI	GJ	GK	GL	GM
GN	GO	GP	GQ	GR	GS	GT	GU
GV	GW	GX	GY	GA	GB	GC	GD
GE	GF	GG	GH	GI	GJ	GK	GL
GM	GN	GO	GP	GQ	GR	GS	GT
GT	GU	GV	GW	GX	GY	GA	GB
GA	GB	GC	GD	GE	GF	GG	GH
GI	GJ	GK	GL	GM	GN	GO	GP
GQ	GR	GS	GT	GU	GV	GW	GX
GY	GA	GB	GC	GD	GE	GF	GG
GH	GI	GJ	GK	GL	GM	GN	GO
GP	GQ	GR	GS	GT	GU	GV	GW
GX	GY	GA	GB	GC	GD	GE	GF
GG	GH	GI	GJ	GK	GL	GM	GN
GO	GP	GQ	GR	GS	GT	GU	GV
GW	GX	GY	GA	GB	GC	GD	GE
GF	GG	GH	GI	GJ	GK	GL	GM
GN	GO	GP	GQ	GR	GS	GT	GU
GV	GW	GX	GY	GA	GB	GC	GD
GE	GF	GG	GH	GI	GJ	GK	GL
GM	GN	GO	GP	GQ	GR	GS	GT
GT	GU	GV	GW	GX	GY	GA	GB

date 28 AUG 1980

revision/drn JK D GK dpp. cv

OHIO SCIENTIFIC

product name/number SUPERBOARD 2 MODEL 600

status sheet 5 of 5

4

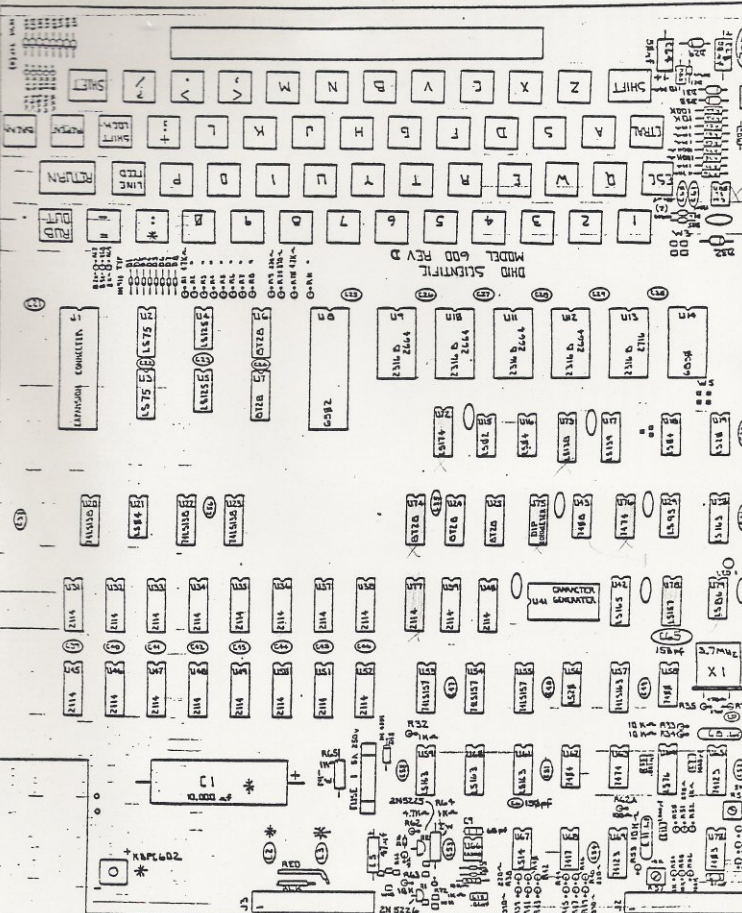
3

2

1

1

NOTE - ALL UNIMPROVED CAPACITORS ARE 1- μ F BYPASS CAPACITORS



* NORMALLY NOT INSTALLED

28 AUG 1980

J.L.K.