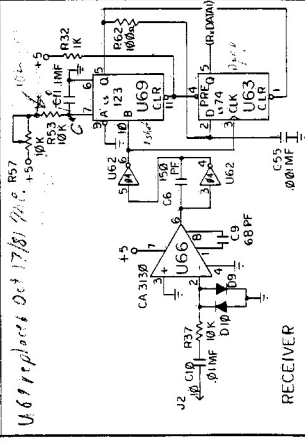
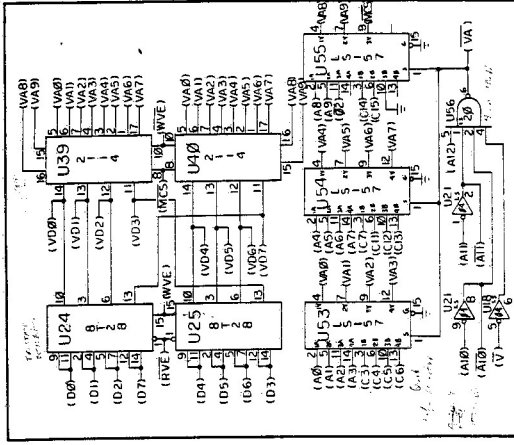


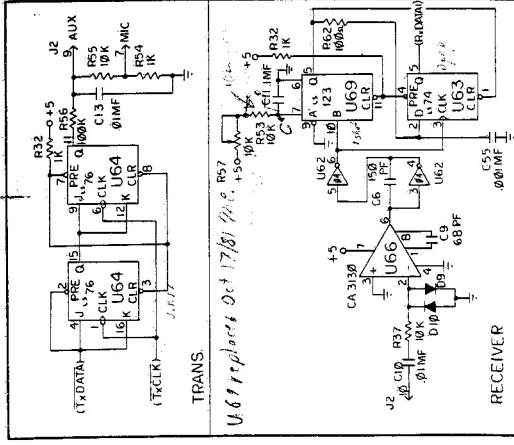
TRANS.



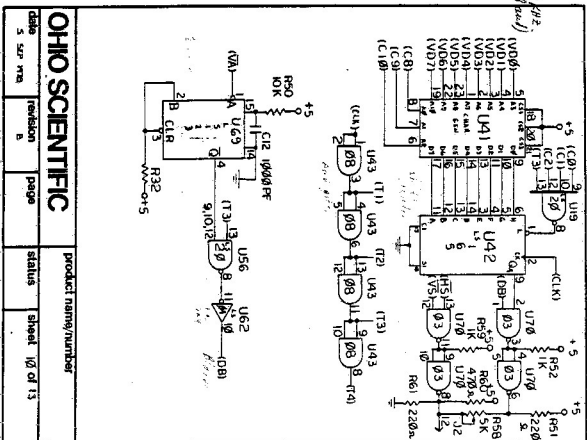
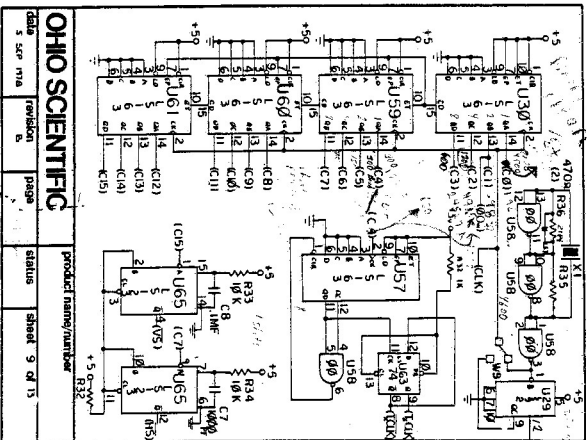
RECEIVER

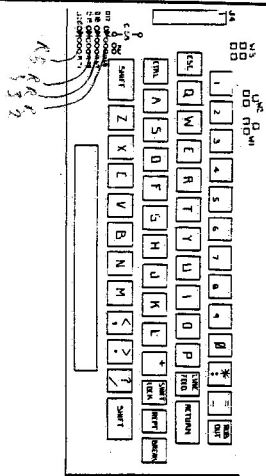
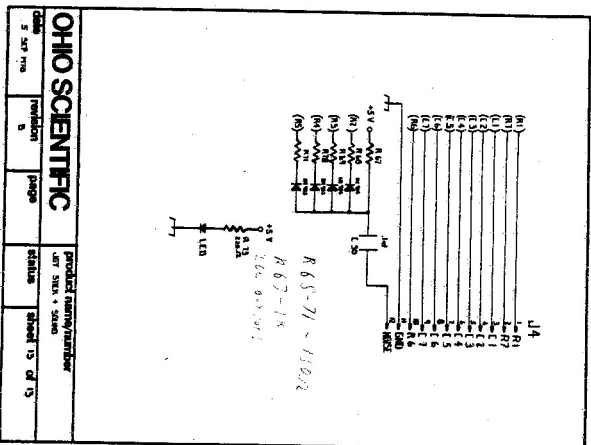


OHO SCIENTIFIC product name/number		status	sheet 8 of 13
		revision B	page
date 5 SEP 1976	revision B	page	status



OHO SCIENTIFIC product name/number		status	sheet 7 of 13
		revision B	page
date 5 SEP 1976	revision B	page	status





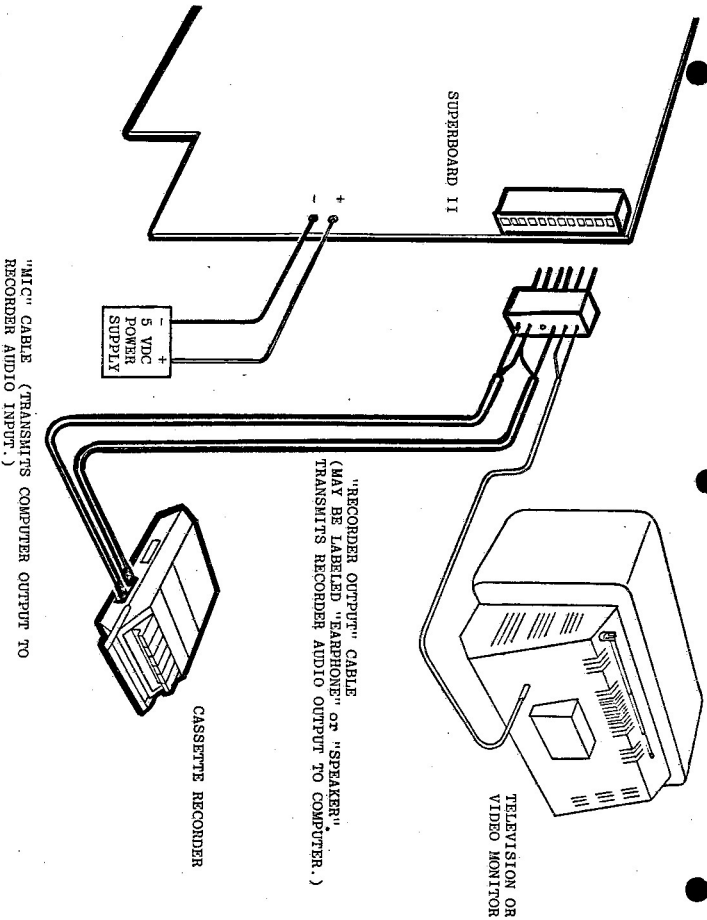


FIGURE 5. SUPERBOARD II CASSETTE RECORDER CONNECTIONS.

